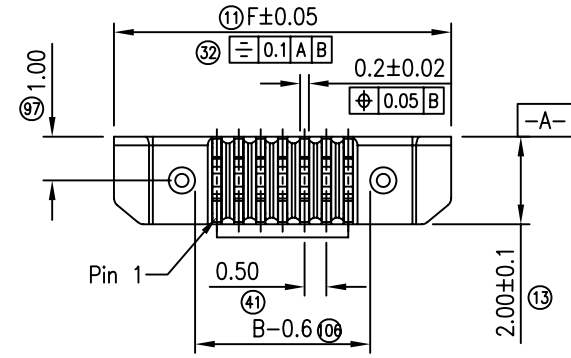
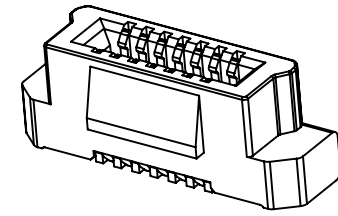
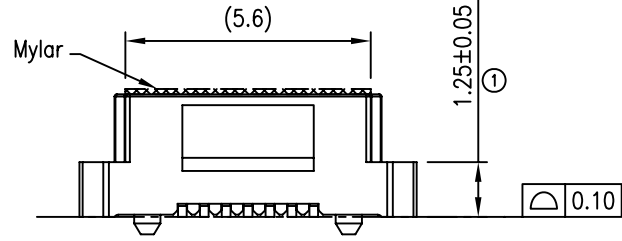
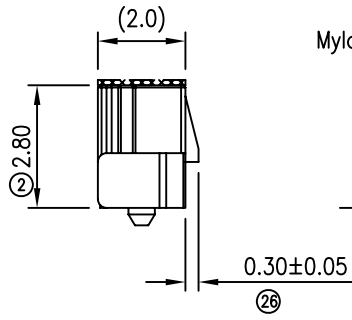
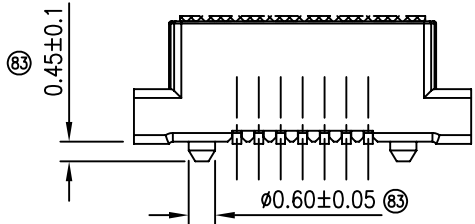
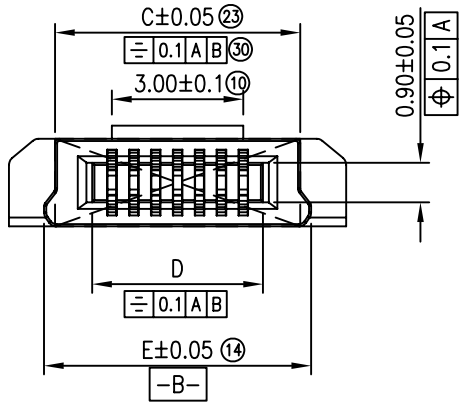


PCB PATTERN LAYOUT
TOLERANCE ± 0.05



NOTES:

1. MATERIAL:
 - 1.1 HOUSING: Vectra I130i, THERMOPLASTIC, HIGH TEMP., UL94V-0.
 - 1.2 CONTACT: COPPER ALLOY, C7035-TM06.
2. FINISH:
 - 2.1 CONTACT:
 - 3: Au 3u" MIN. PLATING ON OVERALL, 50u" MIN. NICKEL UNDERPLATING OVERALL.
3. REFLOW SOLDER CAPABLE TO 260°C PER ACES SPEC.
4. SPEC. PLS. REFER TO PS-50186-XXXXX
5. PACKAGE PLS. REFER TO 50197-XXXX-TRP
6. REFER TO NOVO DRAWING: 246D230_3.2_3.4
7. PART NUMBER

50197-XXX X X-XXX
 NO OF CKT XXX HOUSING COLOR
 001 BLACK
 PACKING PLATING
 0: TAPE & REEL 3: 3u" Au OVERALL (LEAD FREE)
 4: Tape & Reel with Mylar

CKTS	A	B	C	D	E	F
7	3.00	4.60	5.60	3.90	6.10	7.70

一般公差 TOLERANCES X ± 0.5 XX ± 0.15 X ± 0.25 XXX ± 0.1 ANGLES $\pm 2^\circ$		宏致電子股份有限公司 Aces Electronic Co., Ltd.	
檢驗尺寸標示 SYMBOLS (C) (M) INDICATE CLASSIFICATION DIMENSION (M) MARK IS CRITICAL DIM. (C) MARK IS MAJOR DIM.	品名 (TITLE) 0.5mm Pitch BTB Female Conn. SMT S/R S/T Type 圖號 (DWG.NO) 50197-XXXX-XXX (NOVO)	製圖 (DR) Yuxiang 12/01/03 審核 (CHKD) Sam 核准 (APPD) Jason	張數 (SHEET) 1 OF 1 比例 (SCALE) 1:1 單位 (UNITS) mm
表面處理 (FINISH)	比例 (SCALE) 1:1	單位 (UNITS) mm	張數 (SHEET) 1 OF 1 尺寸 (SIZE) A4 版次 (REV) B